

# TEREX GENIE SUPERLIFT ADVANTAGE SLA-5 OPERATOR'S MANUAL



## Quick Links

[Safety Rules](#)

[Specifications](#)

# Table of Contents

Table of Contents

Introduction

Safety Rules

Fall Hazards

Tip-over Hazards

Lifting Hazards

Electrocution Hazards

Bodily Injury Hazard

Crushing Hazard

Collision Hazards

Damaged Machine Hazards

Decal Legend

Legend

Pre-operation Inspection

Pre-operation Inspection Fundamentals

Function Tests

Function Test Fundamentals

Load Handling Attachments

Workplace Inspection Fundamentals

Workplace Inspection

Workplace Inspection Checklist

Operating Instructions

Load Capacity Charts

Observe and Obey

Transport and Lifting Instructions

Loading the Machine

Decals

Specifications

## Other ManualsLib Projects



# *Operator's Manual*

## Serial Number Range

### ***Superlift® Advantage***

from 28240 to SLA16-61164  
from SLA16-61165 to  
SLA16G-64899  
from SLAG-64900 to  
SLAG-70696

from SLAP-85613 to  
SLAP-85612

Original Instructions  
Third Edition  
Fourth Printing  
Part No. 97550GT

---

## Important

Read, understand and obey these safety rules and operating instructions before operating this machine. Only trained and authorized personnel shall be permitted to operate this machine. This manual should be considered a permanent part of your machine and should remain with the machine at all times. If you have any questions, contact us.

## Contact Us:

Internet: [www.genielift.com](http://www.genielift.com)

E-mail: [awp.techpub@terex.com](mailto:awp.techpub@terex.com)

---

## Contents

Introduction .....	1
Safety Rules.....	2
Legend .....	6
Pre-operation Inspection.....	8
Function Tests .....	10
Workplace Inspection.....	15
Operating Instructions.....	16
Load Capacity Charts .....	18
Transport and Lifting Instructions .....	20
Decals .....	21
Specifications.....	25

Copyright © 1994 by Genie Industries

Third Edition: Fourth Printing, July 2024

Genie is a registered trademark of Terex South Dakota, Inc. in the U.S.A. and many other countries.



---

# Introduction



---

## Danger

Failure to obey the instructions and safety rules in this manual will result in death or serious injury.

---

## Do Not Operate Unless:

- You learn and practice the principles of safe machine operation contained in this operator's manual.

### 1 Avoid hazardous situations.

**Know and understand the safety rules before going on to the next section.**

- 2 Always perform a pre-operation inspection.
  - 3 Always perform function tests prior to use.
  - 4 Inspect the workplace.
  - 5 Only use the machine as it was intended.
- You read, understand and obey the manufacturer's instructions and safety rules—safety and operator's manuals and machine decals.
  - You read, understand and obey employer's safety rules and worksite regulations.
  - You read, understand and obey all applicable governmental regulations.
  - You are properly trained to safely operate the machine.

## Safety Rules

### ⚠ Fall Hazards

Do not use as a personnel lifting platform or step.

Do not stand on the load handling attachments.

Do not climb on the mast.

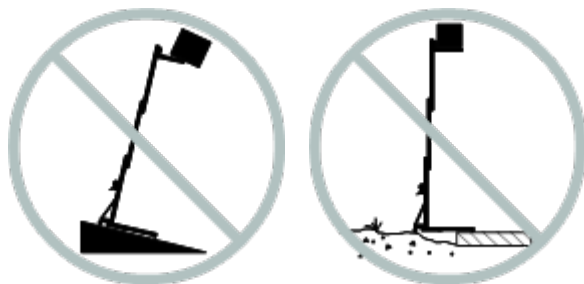
### ⚠ Tip-over Hazards

Do not raise the load unless the stabilizers (if equipped) and legs have been fully lowered and locked and the casters are in full contact with the ground.

Do not raise the load unless the leg retainer pins are properly inserted through the leg and the base.

Do not remove the leg retainer pins while the machine is loaded and/or raised.

Do not raise the load unless the machine is on a firm, level surface.



Prior to use, check the work area for drop-offs, holes, bumps, debris, unstable or slippery surfaces or other possible hazardous conditions.

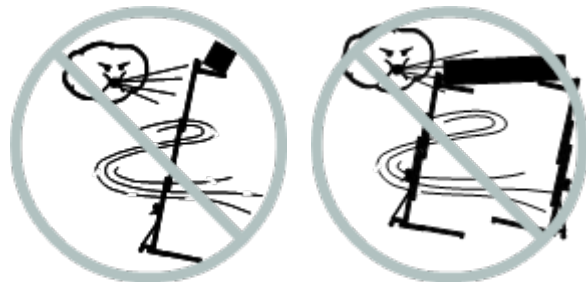
Do not raise the load unless the load handling attachment is properly secured to the machine.

Do not use blocks to level the machine.



Do not move the machine with a raised load, except for minor positioning.

Do not operate the machine in strong or gusty winds. Increasing the load surface area will decrease machine stability in windy conditions.

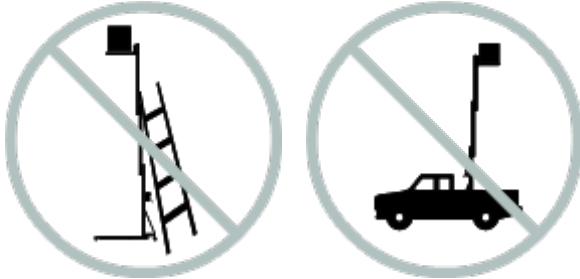


Do not leave a load raised when windy conditions may occur unless the machine(s) are properly guywired.

Do not cause a horizontal force or side load to machine by raising or lowering a fixed or overhanging load.

# Safety Rules

Do not place ladders or scaffolding against any part of the machine.



Do not use the machine on a moving or mobile surface or vehicle.

Do not exceed the rated load capacity. See Load Capacity Charts section.

Avoid debris and uneven surfaces while rolling a machine with the legs folded up.

Do not replace machine parts critical to stability or structure with items of different weight or specification.

Do not use a straddle base or the flat forks on an SLA-20 or an SLA-25.

Do not use the machine if a straddle base leg can extend beyond its travel stop.

## ▲ Lifting Hazards

Use proper lifting techniques to load or tip the machine.

Use proper lifting techniques when installing or removing the load handling attachments.

## ▲ Electrocutation Hazards

This machine is not electrically insulated and will not provide protection from contact with or proximity to electrical current.

Keep away from the machine if it contacts energized power lines. Personnel must not touch or operate the machine until energized power lines are shut off.



Maintain safe distances from electrical power lines and apparatus in accordance with applicable governmental regulations and the following chart.

Voltage Phase to Phase	Minimum Safe Approach Distance	
0 to 300V	Avoid Contact	
300V to 50KV	10 ft	3.05 m
50KV to 200KV	15 ft	4.60 m
200KV to 350KV	20 ft	6.10 m
350KV to 500KV	25 ft	7.62 m
500KV to 750KV	35 ft	10.67 m
750KV to 1000KV	45 ft	13.72 m

Allow for mast movement, electrical line sway or sag, and beware of strong or gusty winds.

Do not use the machine as a ground for welding.

## ▲ Bodily Injury Hazard

Do not grasp the cable.

## Safety Rules

### ▲ Crushing Hazard

Do not raise if the load is not properly centered on the load handling attachment.

Do not raise unless the load is properly secured to the load handling attachment.

Do not stand under or allow personnel under the machine when the load is raised.

Do not stand under the load. The mast brake system (if equipped) will allow the load to drop 1 to 3 feet / 30 to 92 cm before locking the columns.



Do not lower the load unless the area below is clear of personnel and obstructions.

Keep hands and fingers away from folding legs and other potential pinch points.

Maintain a firm grasp on the stabilizer when the lock plates are released. The stabilizer will drop.

Maintain a firm grasp on the leg when the retaining pin is removed. The leg will drop.

Maintain a firm grasp on the winch handle until the brake is locked. The brake is locked when the load will not cause the winch handle to turn.

### Adjustable Flat Forks

Do not raise the load unless the snap pins are properly inserted in the forks.



### Fork Extensions

Do not raise the load unless the fork extensions are properly secured to the forks.

### ▲ Collision Hazards

Check the work area for overhead obstructions or other possible hazards.



Do not tilt the machine back unless the area is clear of personnel and obstructions.

Use common sense and planning when transporting the machine on an incline or slope.

Do not load for transport unless the machine and vehicle are on a level surface. Use proper lifting techniques to load the machine.

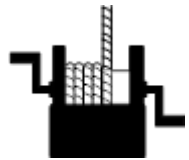
## Safety Rules

### ⚠ Damaged Machine Hazards



Do not use a damaged or malfunctioning machine.

Do not use a machine with a worn, frayed, kinked or damaged cable.



Do not use a machine with less than 4 wraps of cable on the winch drum when the carriage is fully lowered.

Conduct a thorough pre-operation inspection prior to each use.

Be sure all decals are in place and legible. See Decals section.

Be sure that the operator's manual is complete, legible and in the storage container located on the machine.

Maintain proper lubrication on the winch. See *Genie Superlift Parts and Service Manual* for details.

Do not allow oil or grease on braking surfaces.

Do not use any type of lubrication on the column surfaces.

### ⚠ Improper Use Hazard

Never leave a machine unattended with a load. Unauthorized personnel may attempt to operate the machine without proper instruction, creating an unsafe condition.

### Decal Legend

Genie product decals use symbols, color coding and signal words to identify the following:



Safety alert symbol—used to alert personnel to potential personal injury hazards. Obey all safety messages that follow this symbol to avoid possible injury or death.



Red—used to indicate the presence of an imminently hazardous situation which, if not avoided, will result in death or serious injury.



Orange—used to indicate the presence of a potentially hazardous situation which, if not avoided, could result in death or serious injury.



Yellow with safety alert symbol—used to indicate the presence of a potentially hazardous situation which, if not avoided, may cause minor or moderate injury.

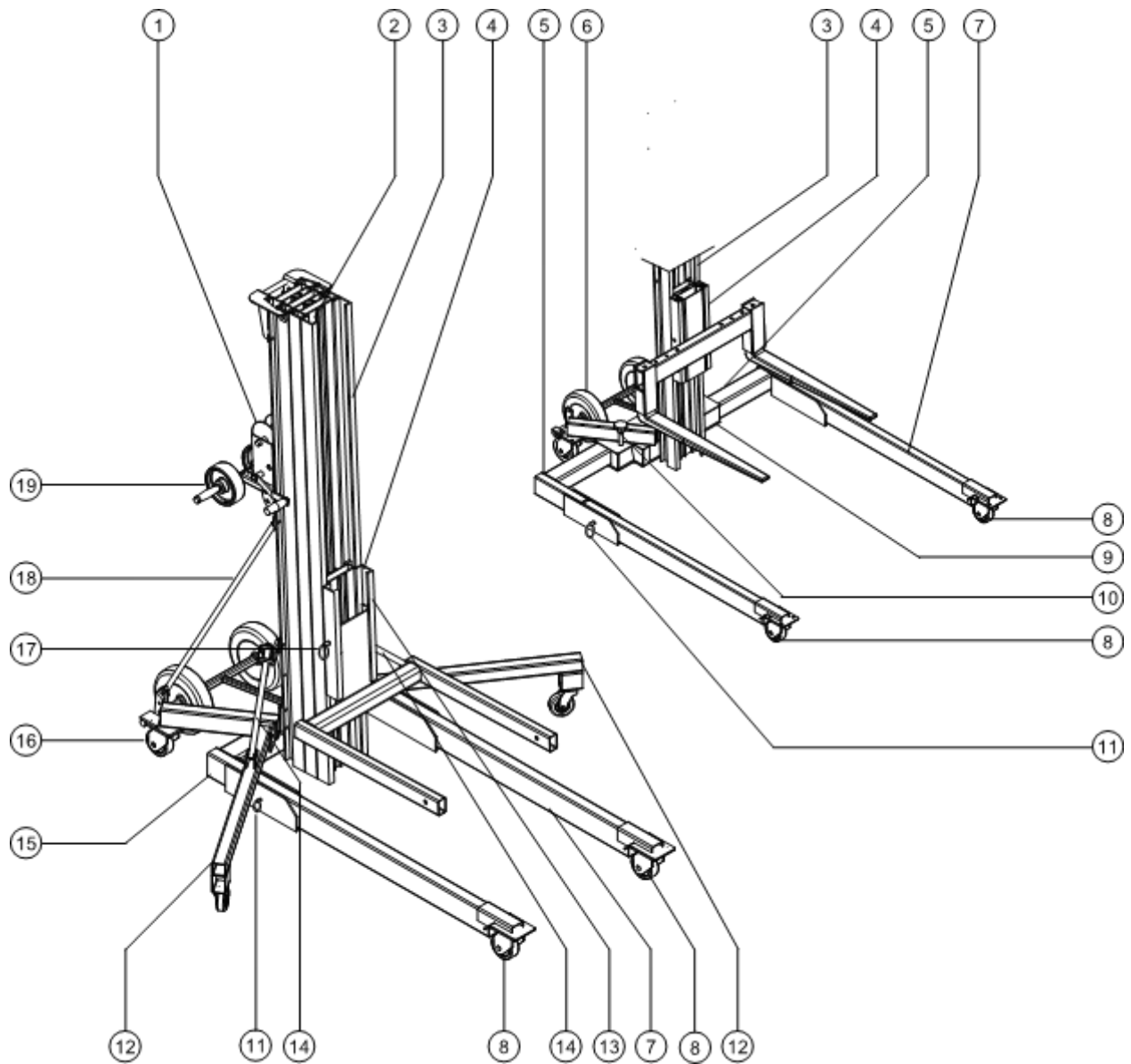


Yellow without safety alert symbol—used to indicate the presence of a potentially hazardous situation which, if not avoided, may result in property damage.



Green—used to indicate operation or maintenance information.

# Legend

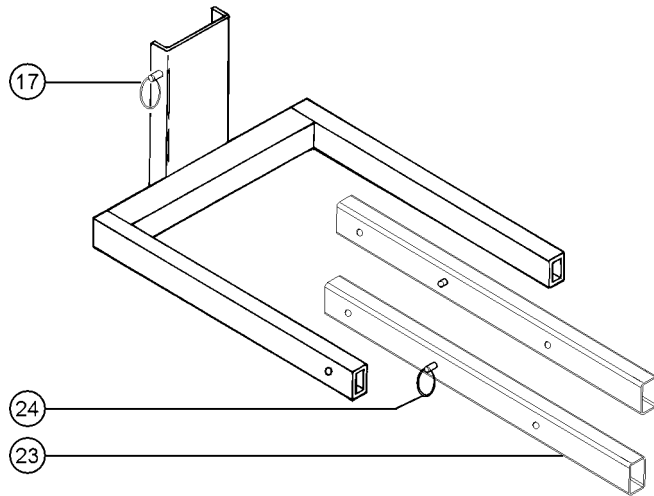


- |                                  |  |   |
|----------------------------------|--|---|
| 1 Winch                          | 8 Leg swivel caster                            | 14 Stabilizer brace                       |
| 2 Cable                          | 9 Straddle base                                | 15 Standard base                          |
| 3 Mast                           | 10 Arm lock knob                               | 16 Base swivel/lock caster with brake     |
| 4 Carriage                       | 11 Leg retaining pin                           | 17 Load handling attachment retaining pin |
| 5 Adjustable arm                 | 12 Stabilizer (if equipped)                    |   |
| 6 Traveling wheels (if equipped) | 13 Hold-down bar (on opposite side of machine) |   |
| 7 Leg                            |  |   |

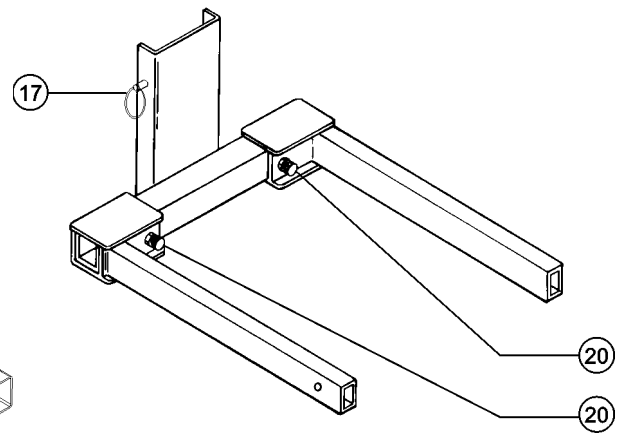


# Legend

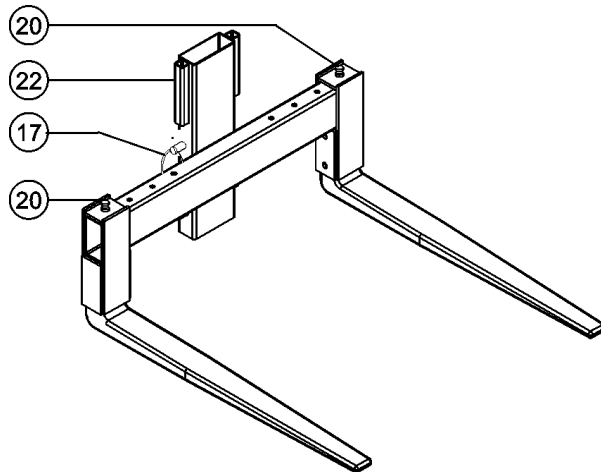
## Standard Forks



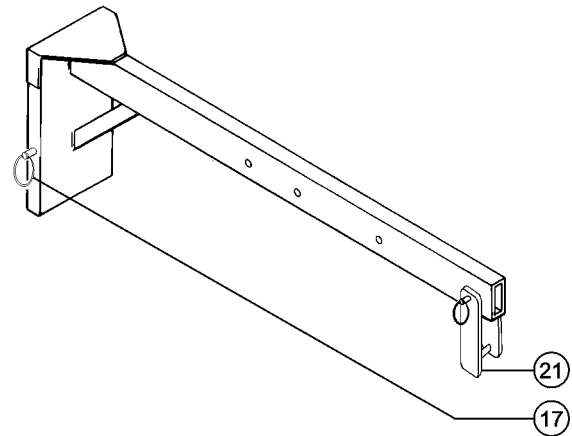
## Adjustable Forks



## Adjustable Flat Forks



## Boom



- 18 Mast brace
- 19 Loading wheels/steer handles
- 20 Snap pin
- 21 Lifting shackle
- 22 Fork mounting bracket
- 23 Fork Extensions
- 24 Fork extension retaining pin

# Pre-operation Inspection



---

## Do Not Operate Unless:

- You learn and practice the principles of safe machine operation contained in this operator's manual.

- 1 Avoid hazardous situations.

- 2 **Always perform a pre-operation inspection.**

**Know and understand the pre-operation inspection before going on to the next section.**

- 3 Always perform function tests prior to use.
- 4 Inspect the workplace.
- 5 Only use the machine as it was intended.

## Pre-operation Inspection Fundamentals

The pre-operation inspection is a visual inspection performed by the operator prior to each work shift. The inspection is designed to discover if anything is apparently wrong with a machine before the operator performs the function tests.

Refer to the list on the next page and check each of the items.

If damage or any unauthorized variation from factory delivered condition is discovered, the machine must be tagged and removed from service.

Repairs to the machine may only be made by a qualified service technician, according to the manufacturer's specifications. After repairs are completed, the operator must perform a pre-operation inspection again before going on to the function tests.

## Pre-operation Inspection

### Pre-operation Inspection

---

- Be sure that the operator's manual is complete, legible and in the storage container located on the machine.
- Be sure that all decals are legible and in place. See Decals section.

Check the following components or areas for damage, improperly installed, or missing parts and unauthorized modifications:

- Winch and related components
- Base components
- Legs
- Stabilizers and latch plates (if equipped)
- Mast columns
- Exterior plastic shim for safety brake (if equipped)
- Carriage hold-down bar
- Cable anchor
- Cable and pulleys
- Wheels and casters
- Load handling attachments
- Nuts, bolts and other fasteners
- Cable (kinks, frays and abrasions)

Check entire machine for:

- Cracks in welds or structural components
- Dents or damage to machine
- Excessive rust, corrosion or oxidation
- Verify that all structural and other critical components are present and all associated fasteners and pins are in place and properly tightened.
- Be sure there is a minimum of 4 wraps of cable around the winch drum when the carriage is fully lowered.

---

# Function Tests



---

## Do Not Operate Unless:

- You learn and practice the principles of safe machine operation contained in this operator's manual.
  - 1 Avoid hazardous situations.
  - 2 Always perform a pre-operation inspection.
  - 3 Always perform function tests prior to use.**

**Know and understand the function tests before going on to the next section.**

- 4 Inspect the workplace.
- 5 Only use the machine as it was intended.

## Function Test Fundamentals

The function tests are designed to discover any malfunctions before the machine is put into service. The operator must follow the step-by-step instructions to test all machine functions.

A malfunctioning machine must never be used. If malfunctions are discovered, the machine must be tagged and removed from service. Repairs to the machine may only be made by a qualified service technician, according to the manufacturer's specifications.

After repairs are completed, the operator must perform a pre-operation inspection and function tests again before putting the machine into service.

## Function Tests

### Function Tests

- 1 Select a test area that is firm, level and free of hazards.

**⚠** Note: Ensure the carriage hold-down bar is not over the carriage.

### Setup

#### Machines Without Stabilizers

- 1 Remove the leg retainer pin and lower the leg to the down position. Insert the pin through the leg and base.



#### Machines With Stabilizers

- 1 Push down to release the stabilizer lock plates and lower the stabilizers until the casters are in full contact with the ground. Be sure the stabilizers are locked in the down position.



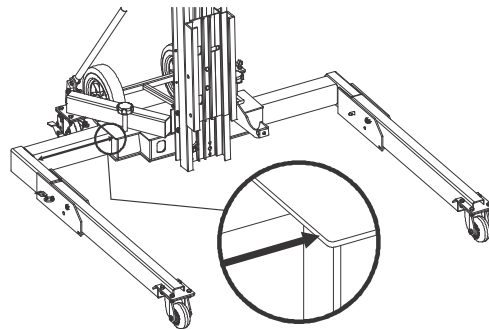
- 2 Remove the leg retainer pin and lower the leg to the down position. Insert the pin through the leg and base.



#### Straddle base

- 1 Place a 2 inch / 5.1 cm block under one leg swivel caster.
- 2 Loosen the arm lock knob on the opposite adjustable arm. Push down on the lock knob.
- 3 Position the adjustable arm to the desired width.

**⚠** Note: Do not extend the adjustable arm more than 13.75 inch / 35 cm.



Distance between the adjustable arm and the edge of the straddle base should not exceed 13.75 in or 35 cm.

- 4 Tighten the arm lock knob while supporting the leg assembly.
- 5 Repeat steps 1-4 for the other arm.

## Function Tests

### Load Handling Attachments

#### Standard Forks and Standard Fork Options

- 1 Place the forks inside the carriage.
- 2 Insert the retaining pin.



#### Load Platform with Standard Forks

- 1 Place the load platform on the standard forks.

#### Pipe Cradle

- 1 Attach the pipe cradles to the forks. Be sure the fasteners are tightened.

#### Fork Extensions

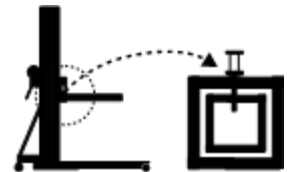
- 1 Slide each extension tube onto the forks.
- 2 Adjust to the desired position and insert the retaining pins.

#### Adjustable Forks and Adjustable Fork Options

- 1 Place the forks inside the carriage.
- 2 Insert the retaining pin.



- 3 Adjust the forks to the desired width and be sure the snap pin is properly inserted in each fork.



#### Load Platform with Adjustable Forks

- 1 Adjust the forks to a width of 23 inches / 58.4 cm.
- 2 Place the load platform on the adjustable forks.

#### Pipe Cradle

- 1 Attach the pipe cradles to the forks. Be sure the fasteners are tightened.

#### Fork Extensions

- 1 Slide each extension tube onto the forks.
- 2 Adjust to the desired position and insert the retaining pins.

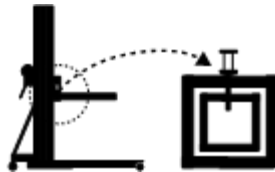
## Function Tests

### Adjustable Flat Forks

- 1 Place the fork mounting bracket inside the carriage.
- 2 Insert the retaining pin.



- 3 Adjust the forks to the desired width and be sure the snap pin is properly inserted in each fork.



### Standard Boom

- 1 Place the boom inside the carriage.
- 2 Insert the retaining pin.

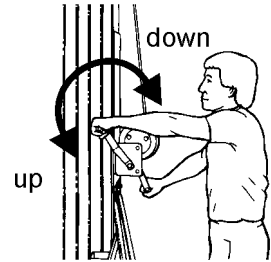


- 3 Attach the lifting shackle to the desired hole on the boom.

### Test One-Speed Winch Operation

- 1 Install a load handling attachment.
  - 2 Raise the carriage by firmly grasping the winch handles and rotating them towards the mast.
- ⊙ Result: The winch should operate smoothly, free of hesitation or binding.

- 3 Lower the carriage by firmly grasping the winch handles and rotating them away from the mast. After lowering to the desired position, turn the winch handles toward the mast (raise the load) 1/4 turn to set the brakes.

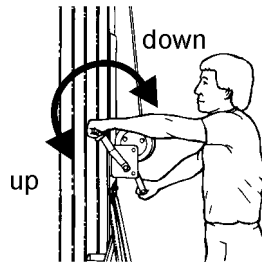


- ⊙ Result: The winch should operate smoothly, free of hesitation or binding.

## Function Tests

### Test Two-Speed Winch Operation

- 1 Install a load handling attachment.
- 2 Shift the winch to the slow speed.
- 3 Raise the carriage by firmly grasping the winch handles and rotating them towards the mast.
- ⊙ Result: The winch should operate smoothly, free of hesitation or binding.
- 4 Lower the carriage by firmly grasping the winch handles and rotating them away from the mast. After lowering to the desired position, turn the winch handles toward the mast (raise the load) 1/4 turn to set the brakes.
- ⊙ Result: The winch should operate smoothly, free of hesitation or binding.
- 5 Shift the winch to the fast speed and repeat steps 3 and 4.



### Test Mast Sequencing

- 1 Install a load handling attachment.
- 2 Raise the carriage to full height by firmly grasping the winch handles and rotating them towards the mast.
- 3 Result: The carriage should raise to the top of the front mast section, followed in consecutive order by each mast section.
- 4 Fully lower the carriage. After lowering to the desired position, turn the winch handles toward the mast (raise the load) 1/4 turn to set the brakes.

## Workplace Inspection



### Do Not Operate Unless:

- You learn and practice the principles of safe machine operation contained in this operator's manual.
  - 1 Avoid hazardous situations.
  - 2 Always perform a pre-operation inspection.
  - 3 Always perform function tests prior to use.
  - 4 Inspect the workplace.**

**Know and understand the workplace inspection before going on to the next section.**

  - 5 Only use the machine as it was intended.

### Workplace Inspection Fundamentals

The workplace inspection helps the operator determine if the workplace is suitable for safe machine operation. It should be performed by the operator prior to moving the machine to the workplace.

It is the operator's responsibility to read and remember the workplace hazards, then watch for and avoid them while moving, setting up, and operating the machine.

### Workplace Inspection Checklist

Be aware of and avoid the following hazardous situations:

- drop-offs or holes
- bumps, floor obstructions, or debris
- sloped surfaces
- unstable or slippery surfaces
- overhead obstructions and high voltage conductors
- hazardous locations
- inadequate surface support to withstand all load forces imposed by the machine
- wind and weather conditions
- the presence of unauthorized personnel
- other possible unsafe conditions

---

# Operating Instructions



---

## Do Not Operate Unless:

- You learn and practice the principles of safe machine operation contained in this operator's manual.
  - 1 Avoid hazardous situations.
  - 2 Always perform a pre-operation inspection.
  - 3 Always perform function tests prior to use.
  - 4 Inspect the workplace.
  - 5 **Only use the machine as it was intended.**

## Fundamentals

The Operating Instructions section provides instructions for each aspect of machine operation. It is the operator's responsibility to follow all the safety rules and instructions in the operator's, safety and responsibilities manuals.

Using the machine for any purpose other than lifting material is unsafe.

If more than one operator is expected to use a machine at different times in the same work shift, each operator is expected to follow all safety rules and instructions in the operator's manual. That means every new operator should perform a preoperation inspection, function tests and a work place inspection before using the machine.

# Operating Instructions

## Setup

Select an area that is firm, level and free of obstructions.

Follow the Setup procedures in the Function Tests section.

## Raising and Lowering Load

- 1 Center the load on the load handling attachment. See Load Capacity Charts section.
- 2 Secure the load to the load handling attachment.
- 3 Raise the load by firmly grasping the winch handles and rotating them toward the mast. Do not allow the cable to wind unevenly onto the drum.
- 4 Lower the load by firmly grasping the winch handles and rotating them away from the mast. After lowering to the desired position, turn the winch handles toward the mast (raise the load) 1/4 turn to set the brakes.

## Moving Machine with a Load

It is best to move the machine on the work site with no load. Moving a raised load should be restricted to positioning for loading and unloading. If it is necessary to move the machine with a raised load, understand and obey the following safety rules:

- Make sure the area is level and clear of obstructions.
- Make sure the load is centered on the load handling attachment.
- Make sure the load is secured to the load handling attachment.
- Avoid sudden starts and stops.
- Travel with the load in the lowest possible position.
- Keep personnel away from the machine and load.

## After Each Use

To prepare the machine for storage, follow the Setup procedure in reverse order.

Select a safe storage location—firm, level surface, weather protected, clear of obstruction and traffic.

# Load Capacity Charts



## Observe and Obey:

- ☑ Failure to properly position the load may result in death or serious injury.
- ☑ Verify that the load you wish to raise does not exceed the maximum load for your load center. See the load capacity charts on the next page.

### ⚠ WARNING

Tip-over hazard. Raising a load that exceeds the machine capacity may result in death or serious injury.

- ☑ A load center is defined as the balancing point (center of gravity) of a load and must be positioned within the load center zone.

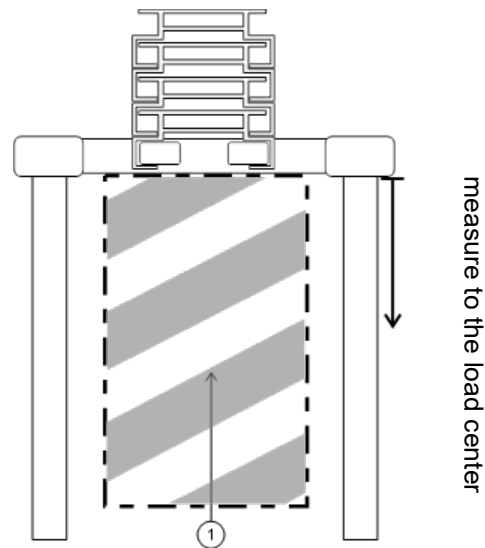
### ⚠ WARNING

Tip-over hazard. Failure to position the load center within the load center zone may result in death or serious injury.

## Forks

### Load Positioning Instructions

- 1 Determine the weight of the load and the location of its load center.
- 2 Measure to the load center from the side of the load that will be closest to the carriage.
- 3 Refer to the chart on the next page to determine if the machine is capable of lifting the weight at the location on the forks.
- 4 Place the load so that it rests on the forks, as close to the carriage as possible.
- 5 Position the load so that the load center is within the load center zone.
- 6 Secure the load to the forks.



1. Load Center Zone

See the chart on the next page for maximum load centers for standard forks, adjustable forks and flat forks.

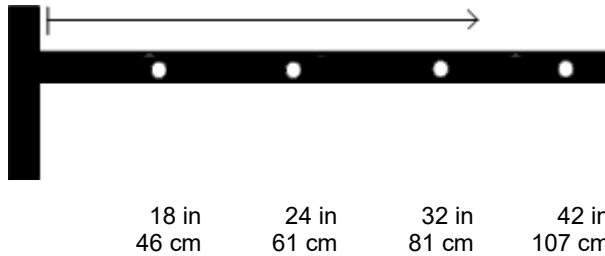
# Load Capacity Charts

## Boom

### Load Positioning Instructions

- 1 Determine the weight of the load and the location of its load center.
- 2 Refer to the chart below to determine if the machine is capable of lifting the weight at the location on the boom.
- 3 Secure the load to the lifting shackle on the boom.

measure to the load center



### Maximum Load Centers

(measure from front of carriage)

<b>Standard Forks</b>	24 in	61 cm
<b>Adjustable Forks</b>	24 in	61 cm
<b>Boom</b>	42 in	107 cm
<b>Adjustable Flat Forks</b>	28 in	71 cm
<b>Load Platform</b>	24 in	61 cm
<b>Pipe Cradle</b>	18 in	46 cm
<b>Fork Extensions</b>	42 in	107 cm

### Load Capacity Chart

		Load Center												
		18	20	22	24	26	28	30	32	34	36	38	40	42
inches		18	20	22	24	26	28	30	32	34	36	38	40	42
cm		46	51	56	61	66	71	76	81	86	91	97	102	107
<b>Model</b>														
<b>SLA-5</b>	lbs	1000	1000	1000	1000	938	875	813	750	670	590	510	430	350
	kg	454	454	454	454	425	397	369	340	304	268	231	195	159
<b>SLA-10</b>	lbs	1000	1000	1000	1000	913	825	738	650	600	550	500	450	400
	kg	454	454	454	454	414	374	335	295	272	249	227	204	181
<b>SLA-15</b>	lbs	800	800	800	800	763	725	688	650	620	590	560	530	500
	kg	363	363	363	363	346	329	312	295	281	268	254	240	227
<b>SLA-20</b>	lbs	800	733	667	600	563	525	488	450	430	410	390	370	350
	kg	363	332	303	272	255	238	221	204	195	186	177	168	159
<b>SLA-25</b>	lbs	650	583	517	450	425	400	375	350	330	310	290	270	250
	kg	295	264	235	204	193	181	170	159	150	141	132	122	113



## Transport and Lifting Instructions



### Observe and Obey:

- ☑ The transport vehicle must be parked on a level surface.
- ☑ The transport vehicle must be secured to prevent rolling while the machine is being loaded.
- ☑ Be sure the vehicle capacity, loading surfaces and chains or straps are sufficient to withstand the machine weight. See the serial label for the machine weight.
- ☑ The machine must be securely fastened to the transport vehicle. Use chains or straps of ample load capacity.

### Loading the Machine

Be sure to remove the load handling attachment from the machine and place the stabilizers in the stored position.

- 1 Fully lower the carriage, to lock for transport.
- 2 Rotate the carriage hold-down bar over the carriage.
- 3 Raise the carriage until it contacts the carriage hold-down bar.
- 4 Adjust the loading wheels to the desired position. Be sure the pin is properly inserted.
- 5 Lock the rear base casters.



- 6 Place the machine against the vehicle. Use proper lifting techniques to load the machine into the transport vehicle. Be sure to check that the carriage is locked in the lowered position.



- 7 Use a minimum of 1 chain or strap to secure the machine to the truckbed. Place the chain or strap over the mast. Placing the chain or strap over the legs can damage the legs.



- 8 To unload, follow the loading instructions in reverse order.

### Loading the Machine With a Crane

Be sure to place the legs and stabilizers in the stored position.

Inspect the entire machine and remove any loose or unsecured items.

Use the lifting bracket on the top of the rear mast column.



Always place the lifting hook through the lifting eye so that it points away from the machine.


## Decals

### Inspection for Decals with Words

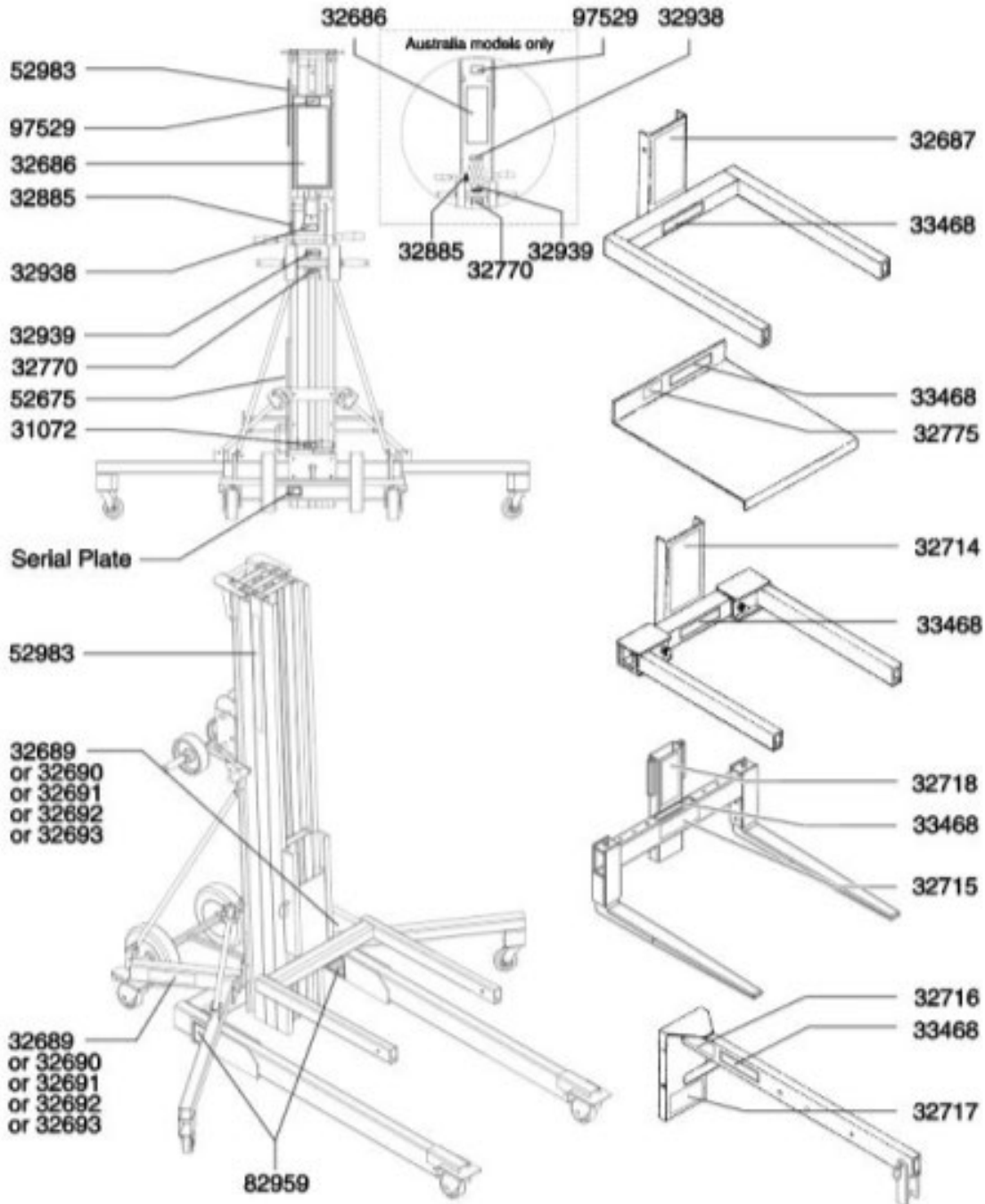
Determine whether the decals on your machine have words or symbols. Use the appropriate inspection to verify that all decals are legible and in place.

Part No.	Decal Description	Qty
31072	Label - Operator's Manual Container	1
32686	Warning - Machine Safety & Setup	1
32687	Warning - Standard Forks Safety/Setup	1
32689	Cosmetic - SLA-5	2
32690	Cosmetic - SLA-10	2
32691	Cosmetic - SLA-15	2
32692	Cosmetic - SLA-20	2
32693	Cosmetic - SLA-25	2
32714	Warning - Adjustable Forks Safety/Setup	1
32715	Notice - Flat Forks Setup	1

Part No.	Decal Description	Qty
32716	Notice - Boom Setup	1
32717	Warning - Boom Safety	1
32718	Warning - Flat Forks Safety	1
32770	Notice - Two Speed Shift Instructions	1
32775	Warning - Fall Hazard, Load Platform	1
32885	Warning - Silent Winch	1
32938	Label - Use This Winch	1
32939	Warning - Crushing Hazard, Brake Lock	1
33468	Warning - No Riders	1
52675	Caution - Damaged Machine Hazard	1
52983	Cosmetic - Superlift Advantage Logo	2
97529	Caution - Bodily Injury Hazard	1
97547	Danger - Electrocution Hazard	2

 Shading indicates decal is hidden from view, i.e. under covers

# Decals




## Decals

### Inspection for Decals with Symbols

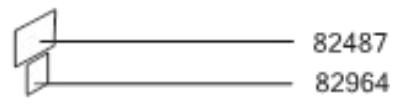
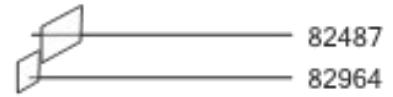
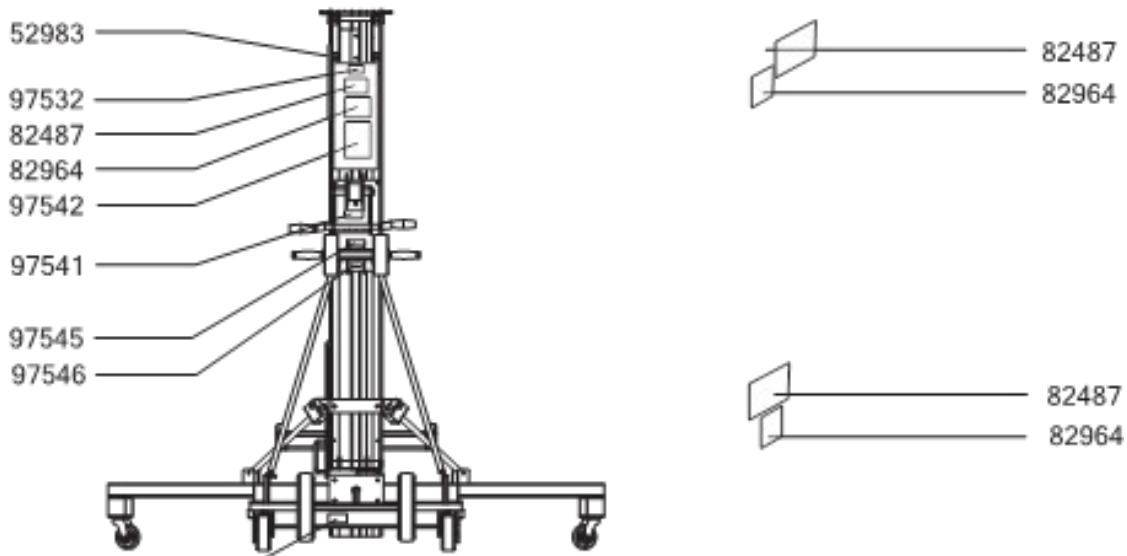
Determine whether the decals on your machine have words or symbols. Use the appropriate inspection to verify that all decals are legible and in place.

Part No.	Decal Description	Qty
32689	Cosmetic - SLA-5	2
32690	Cosmetic - SLA-10	2
32691	Cosmetic - SLA-15	2
32692	Cosmetic - SLA-20	2
32693	Cosmetic - SLA-25	2

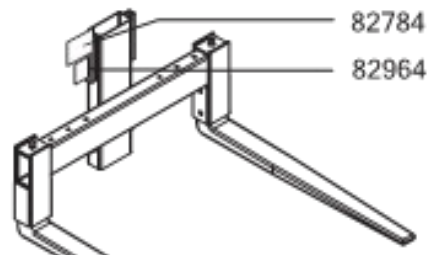
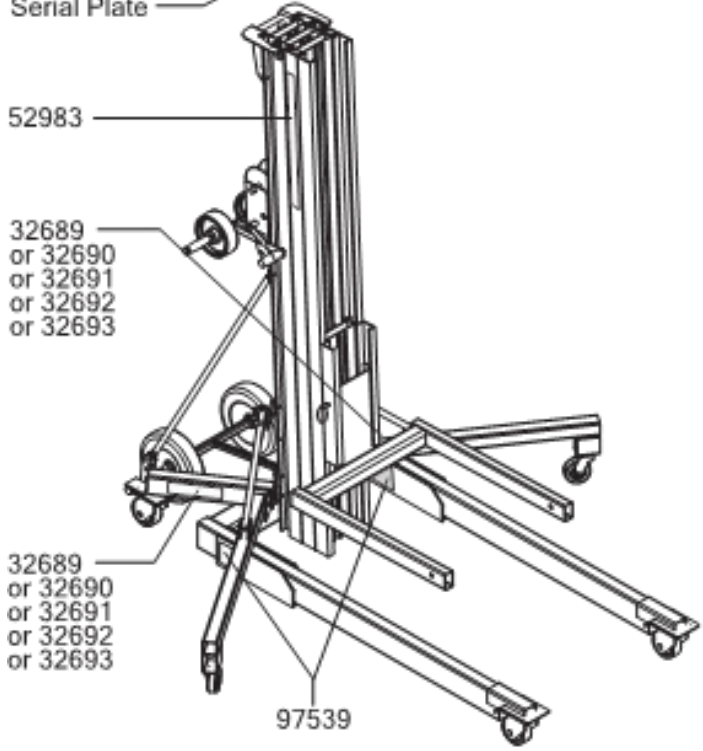
Part No.	Decal Description	Qty
52983	Cosmetic - Superlift Advantage Logo	2
82487	Label – Read the Manual	2
82964	Warning - No Riders	1
97532	Caution - Bodily Injury Hazard	1
97539	Danger - Electrocutation Hazard	2
97541	Label - Use this Winch	1
97542	Warning - Load Center Chart	1
97545	Warning - Lock Brake	1
97546	Label - Two Speed Shift	1

 Shading indicates decal is hidden from view, i.e. under covers

# Decals



Serial Plate



## Specifications

<b>Model</b>	<b>SLA-5</b>	<b>SLA-10</b>	<b>SLA-15</b>	<b>SLA-20</b>	<b>SLA-25</b>
<b>Height, stowed</b>	78.50 in 2 m	78.50 in 2 m	78.50 in 2 m	78.50 in 2 m	78.50 in 2 m
<b>Standard base, Width</b>	31.50 in 80 cm	31.50 in 80 cm	31.50 in 80 cm	31.50 in 80 cm	31.50 in 80 cm
<b>Standard base, Width (stabilizers lowered)</b>	78.625 in 2 m	78.625 in 2 m	78.625 in 2 m	78.625 in 2 m	78.625 in 2 m
<b>Straddle Base, Width Minimum</b>	31.50 in 80 cm	31.50 in 80 cm	31.50 in 80 cm	NA	NA
<b>Straddle Base, Width Maximum</b>	58 in 1.5 m	58 in 1.5 m	58 in 1.5 m	NA	NA
<b>Length, stowed</b>	29 in 74 cm	29 in 74 cm	29 in 74 cm	29 in 74 cm	31 in 79 cm
<b>Length, operating</b>	59.50 in 1.5 m	59.50 in 1.5 m	72.50 in 1.8 m	80.50 in 2 m	80.50 in 2 m
<b>Ground clearance</b>	2 in 50.8 mm	2 in 50.8 mm	2 in 50.8 mm	2 in 50.8 mm	2 in 50.8 mm
<b>Load Capacity at 18 in / 46 cm load center</b>	1000 lbs 454 kg	1000 lbs 454 kg	800 lbs 363 kg	800 lbs 363 kg	650 lbs 295 kg
Note: see Load Capacity Charts section for load capacities at other load centers.					
<b>Standard base - Net Weight</b>	215 lbs 97.5 kg	260 lbs 117.9 kg	317 lbs 143.8 kg	405 lbs 183.7 kg	450 lbs 204.1 kg
<b>Straddle base - Net Weight</b>	258 lbs 117.0 kg	303 lbs 137.4 kg	360 lbs 163.3 kg	NA	NA
<b>Load Handling Attachments</b>	<b>Length</b>	<b>Width</b>	<b>Depth</b>	<b>Net Weight</b>	
<b>Standard Forks</b>	27.50 in 70 cm	23.50 in 60 cm	2.50 in 6.4 cm	38 lbs 17.2 kg	
<b>Adjustable Forks</b>	27.50 in 70 cm	11.50 in to 30 in 29 cm to 76 cm	2.50 in 6.4 cm	52.5 lbs 23.8 kg	
<b>Adjustable Flat Forks</b>	32 in 81 cm	16 in to 31 in 41 cm to 79 cm	1.50 in 3.8 cm	73 lbs 33.1 kg	
<b>Boom</b>	18 in to 42 in 46 cm to 1.1 m	1.50 in 4 cm	6.50 in 16.5 cm	34.5 lbs 15.6 kg	
<b>Pipe Cradle</b>	27.50 in 70 cm	24.50 in 63 cm	6 in 15.2 cm	10 lbs 4.5 kg	
<b>Load Platform</b>	27.50 in 70 cm	23.50 in 60 cm	2.50 in 6.4 cm	26.5 lbs 12 kg	
<b>Fork Extensions (each)</b>	30 in 76 cm	2 in 5 cm	3 in 7.6 cm	4.5 lbs 2 kg	

# Specifications

Dimensions		SLA-5	SLA-10	SLA-15	SLA-20	SLA-25
Standard Forks	forks down	4 ft 10.50 in 1.5 m	9 ft 9 in 3 m	14 ft 7.50 in 4.5 m	19 ft 6 in 5.9 m	24 ft 4 in 7.4 m
	forks up	6 ft 7 in 2 m	11 ft 5.50 in 3.5 m	16 ft 4 in 5 m	21 ft 2.50 in 6.5 m	26 ft 0.50 in 7.9 m
Adjustable Forks	forks down	4 ft 10.50 in 1.5 m	9 ft 9 in 3 m	14 ft 7.50 in 4.5 m	19 ft 6 in 6 m	24 ft 4 in 7.4 m
	forks up	6 ft 7 in 2 m	11 ft 5.50 in 3.5 m	16 ft 4 in 5 m	21 ft 2.50 in 6.5 m	26 ft 0.50 in 7.9 m
Adjustable Flat Forks		4 ft 10.50 in 1.5 m	9 ft 9 in 3 m	14 ft 7.50 in 4.5 m	NA	NA
Boom		5 ft 10.50 in 1.8 m	10 ft 9 in 3.3 m	15 ft 7.50 in 4.8 m	20 ft 6 in 6.2 m	24 ft 4 in 7.4 m

Note: measured from ground to bottom of shackle

Load Platform	forks down	4 ft 10.50 in 1.5 m	9 ft 9 in 3 m	14 ft 7.50 in 4.5 m	19 ft 6 in 6 m	24 ft 4 in 7.4 m
	forks up	6 ft 7 in 2 m	11 ft 5.50 in 3.5 m	16 ft 4 in 5 m	21 ft 2.50 in 6.5 m	26 ft 0.50 in 7.9 m

Note: can be used with standard forks and adjustable forks only

Pipe Cradle Option handles round objects up to 30 in / 76 cm in diameter

Note: can be used with standard forks and adjustable forks only (see above for working heights)

Non-marking Fork Option

Note: can be used with standard forks and adjustable forks only (see above for working heights)

Fork Extension Option adds 6.25 to 25 inches / 15 to 64 cm of length to forks

Note: can be used with standard forks and adjustable forks only (see above for working heights)

<b>Sound pressure level</b>	<70 dBA	<70 dBA	<70 dBA	<70 dBA	<70 dBA
-----------------------------	---------	---------	---------	---------	---------



California Proposition 65



Operating, servicing and maintaining this equipment can expose you to chemicals including engine exhaust, carbon monoxide, phthalates, and lead, which are known to the State of California to cause cancer and birth defects or other reproductive harm. These chemicals can be emitted from or contained in other various parts and systems, fluids and some component wear by-products. To minimize exposure, avoid breathing exhaust, do not idle the engine except as necessary, service your equipment and vehicle in a well-ventilated area and wear gloves or wash your hands frequently when servicing your equipment or vehicle and after operation. For more information go to [www.P65Warnings.ca.gov/passenger-vehicle](http://www.P65Warnings.ca.gov/passenger-vehicle).

# Other ManualsLib Projects



[www.manualslib.com](http://www.manualslib.com)



[www.manualslib.de](http://www.manualslib.de)



[www.manualslib.es](http://www.manualslib.es)



[www.manualslib.fr](http://www.manualslib.fr)



[www.manualslib.nl](http://www.manualslib.nl)



[www.manualslib.mx](http://www.manualslib.mx)



[www.manualslib.tech](http://www.manualslib.tech) 30+ Languages